

**24A01G-3**



**24A06G-1**

**LEVEL-TEMP LOW VOLTAGE  
CONTROL SYSTEMS FOR ELECTRIC HEAT**

Provides Silent Operation and Narrow Differential Control for Heating or Cooling Installations for use with a 2-Wire 24 Volt Thermostat

**FEATURES**

- Level-Temp allows low voltage 2-wire thermostat to control line voltage loads such as baseboard heaters.
- Conduit hub or screw mounting.
- Ideal for all types of electrical heat.
- Non-critical mounting angle. Universal break-off mounting tabs.
- Dual Level-Temp capable of controlling two separate loads.

**SPECIFICATIONS**

Dimensions Models 24A01/05 . . . . .	1 7/8" H x 4 1/2" W x 2 7/16" D
Dimensions Model 24A06 . . . . .	3 13/16" H x 4 13/16" W x 2 1/8" D
Dimensions Model 24A07 . . . . .	1 7/8" H x 4 9/16" W x 1 29/32" D

**Single Level Temp**

Switch Action . . . . .	SPST normally open
Average Time Delay . . . . .	45 seconds
Lead length . . . . .	18 inches
Ambient temperature range . . . . .	-20 to +140°F

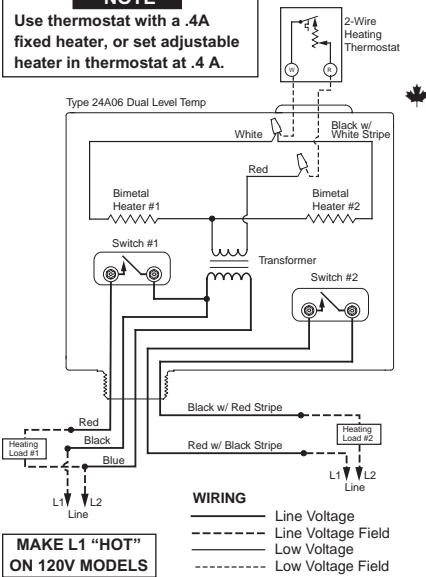
**Dual Level Temp**

Switch Action . . . . .	Two independent: SPST normally open
Average Time Delay . . . . .	45 seconds
Lead length . . . . .	18 inches
Ambient temperature range . . . . .	-20 to +120°F
Agency . . . . .	U.L. listed and C.S.A. certified. Design complies with U.L. 873 T.I.R.E. standard (Temperature Indicating & Regulating Equipment)

**TECHNICAL HELP**

Wiring and Dimension Drawing, 24A01/24A05 . . . . page 286

**NOTE**  
Use thermostat with a .4A fixed heater, or set adjustable heater in thermostat at .4 A.



**SINGLE LEVEL TEMPS – Normally Open**

Model Number	Input Voltage/Frequency	Thermostat Current	A.C. Resistive (Non-inductive)	A.C. Motor Rating (Inductive)	
				Full Load	Locked Rotor
<b>24A01G-3</b>	240 VAC/60 Hz	0.2A	25A, 6000W, 240v	12A, 240v	72A, 240v
24A01Z-10	347 VAC/60 Hz	0.2A	17A, 5900W, 347v	-	-
<b>24A05A-1</b>	120 VAC/60 Hz	0.2A	25A, 3000W, 120v	16A, 120v	96A, 120v
<b>24A05E-1</b>	208 VAC/60 Hz	0.2A	22A, 5200W, 208v	12A, 208v	72A, 208v
<b>24A05Z-1</b>	277 VAC/60 Hz	0.2A	22A, 6000W, 277v	-	-
<b>24A07E-1</b> ①	208 VAC/60 Hz	0.2A	25A, 5200W, 208v	12A, 208v	72A, 208v
<b>24A07G-1</b> ②	240 VAC/60 Hz	0.2A	25A, 6000W, 240v	12A, 240v	72A, 240v

① Same as **24A05E-1**, except without enclosure (U.L. recognized only)  
 ② Same as **24A01G-3**, except without enclosure (U.L. recognized only)

**DUAL LEVEL TEMPS – Controls Two Independent Loads – Normally Open**

Model Number	Input Voltage/Frequency	Thermostat Current	A.C. Resistive ① (Non-inductive)	A.C. Motor Rating (Inductive)	
				Full Load	Locked Rotor
<b>24A06G-1</b>	240 VAC/60 Hz	0.2A per switch	25A, 6000W, 240v	12A, 240v	72A, 240v

① Electrical ratings apply to each switch load  
**NOTE:** Delay approximately 30 seconds opening and 60 seconds closing

REPLACES HONEYWELL R841 SERIES